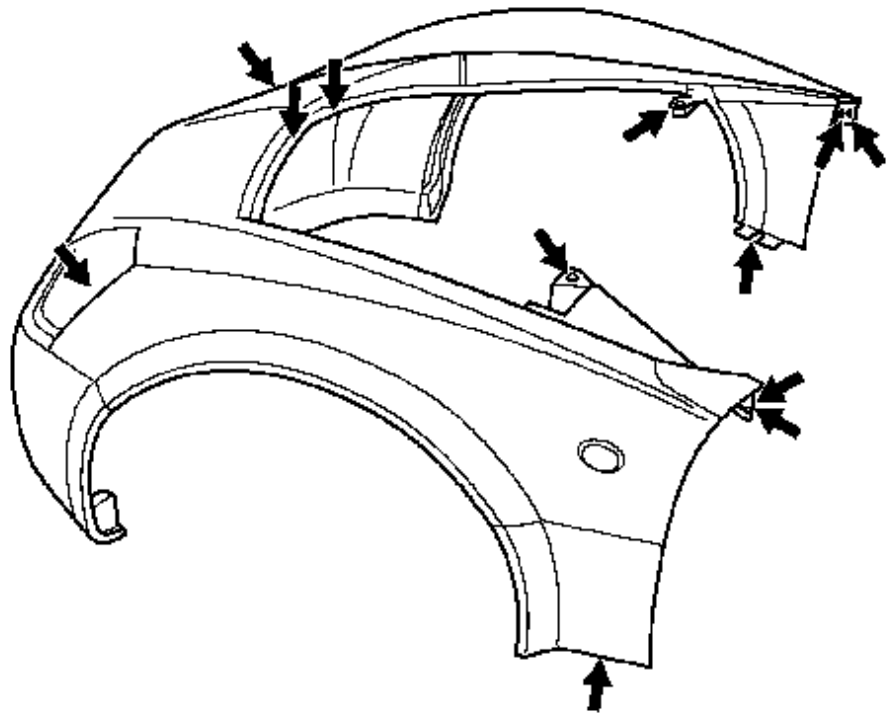


Survey of Front Clamshell Attaching Points

Survey of attaching points



S 0005830